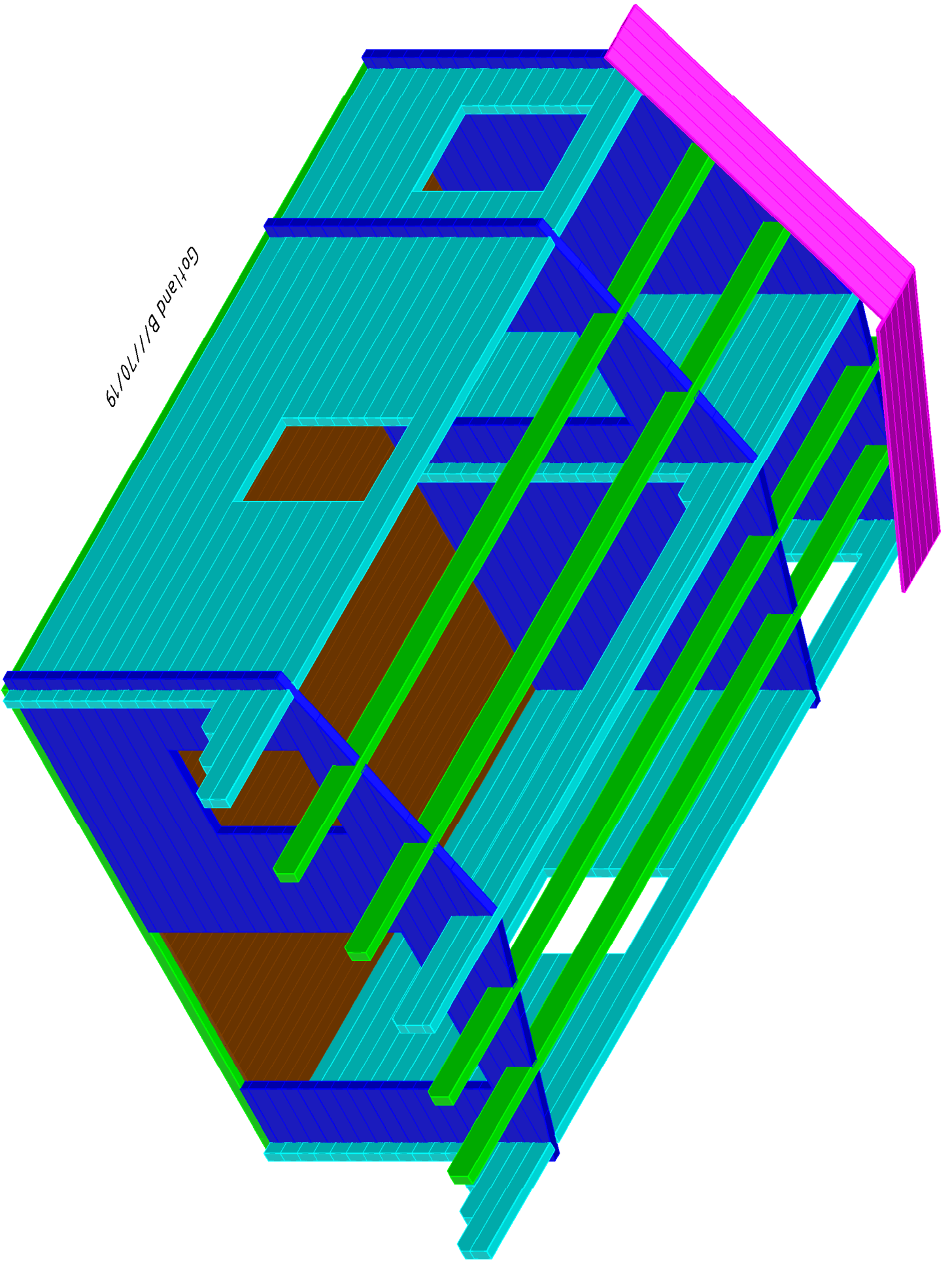
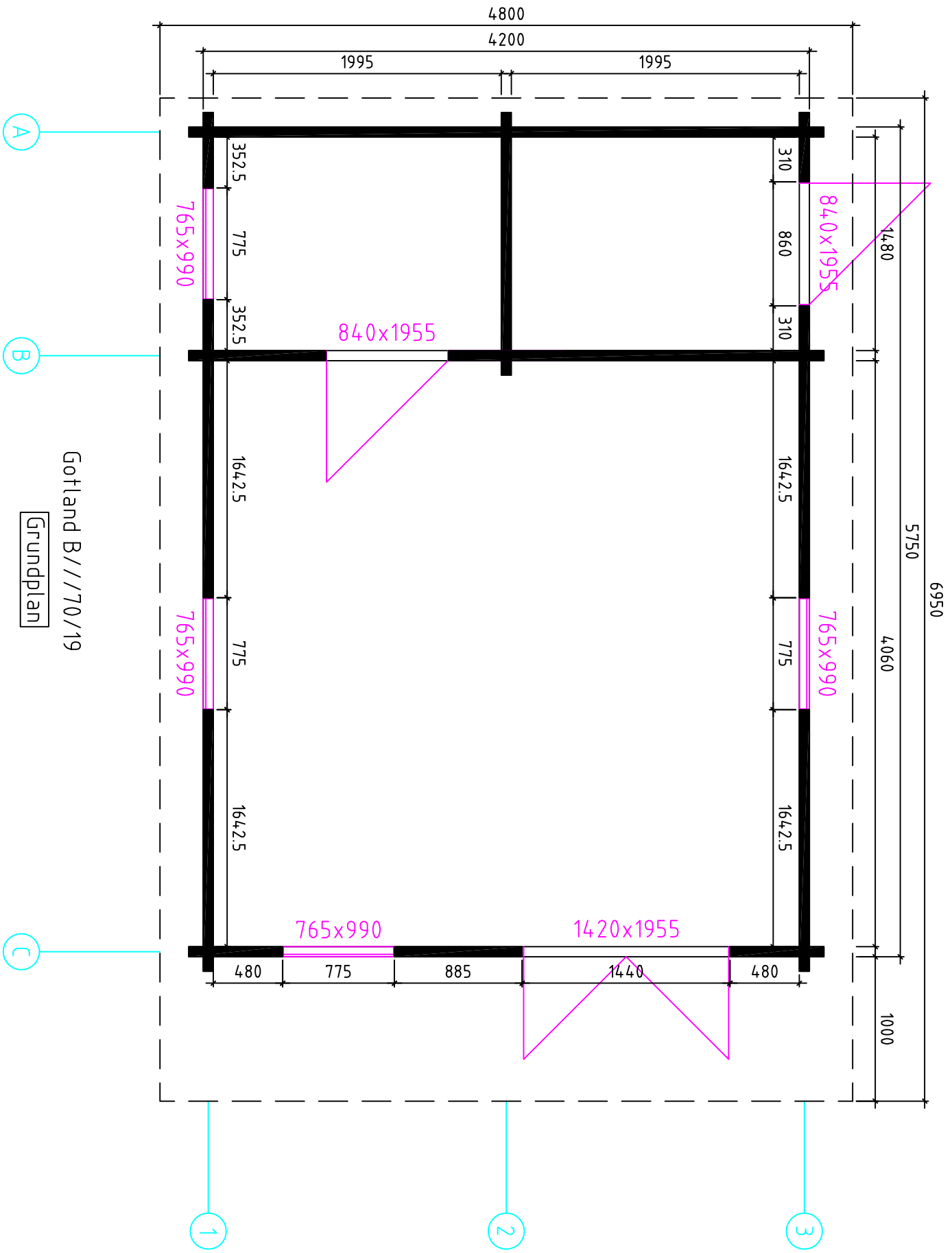
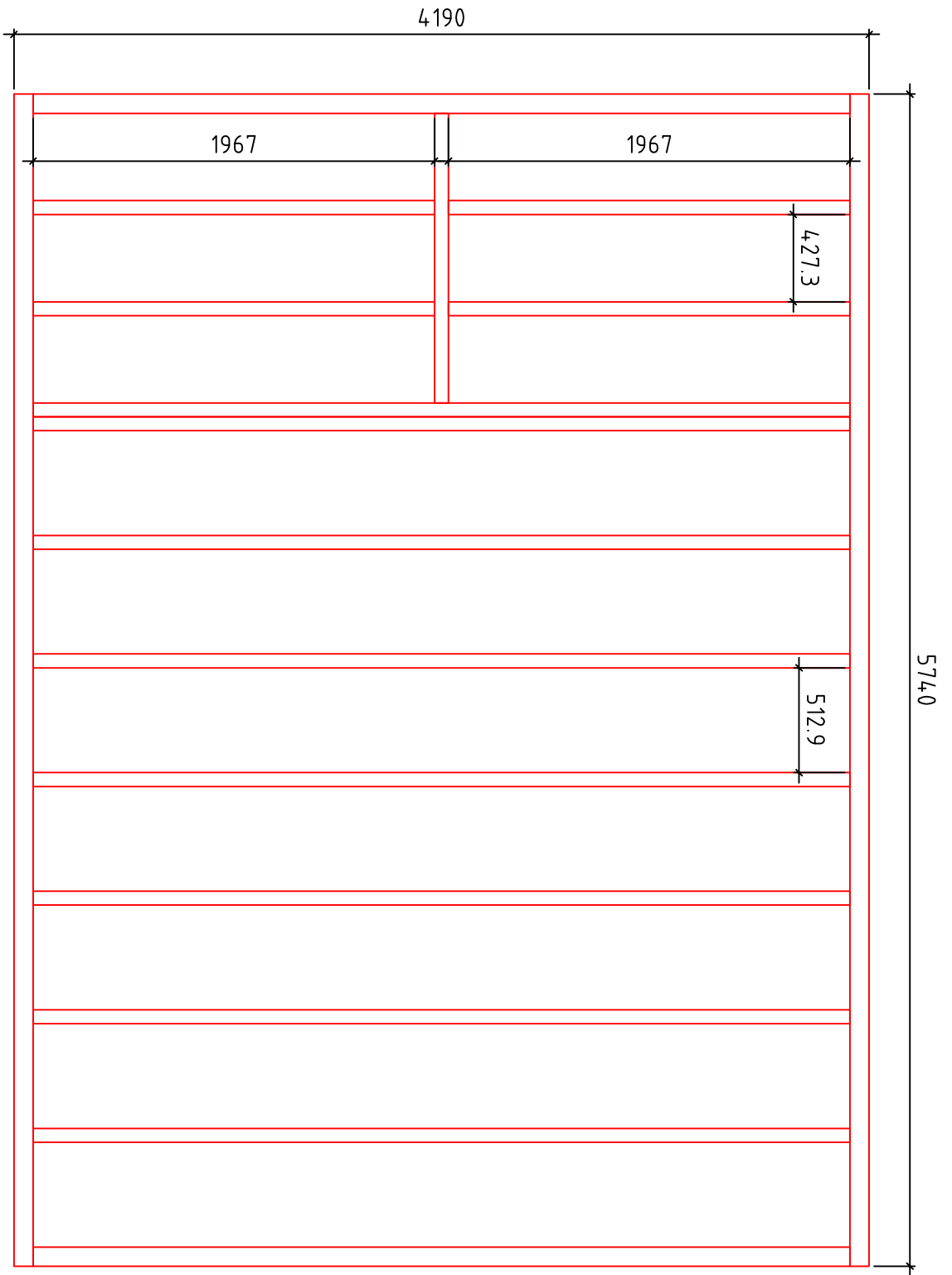


Goiland B/170/19

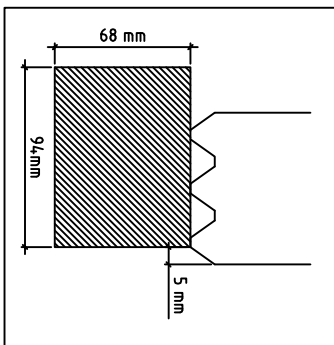


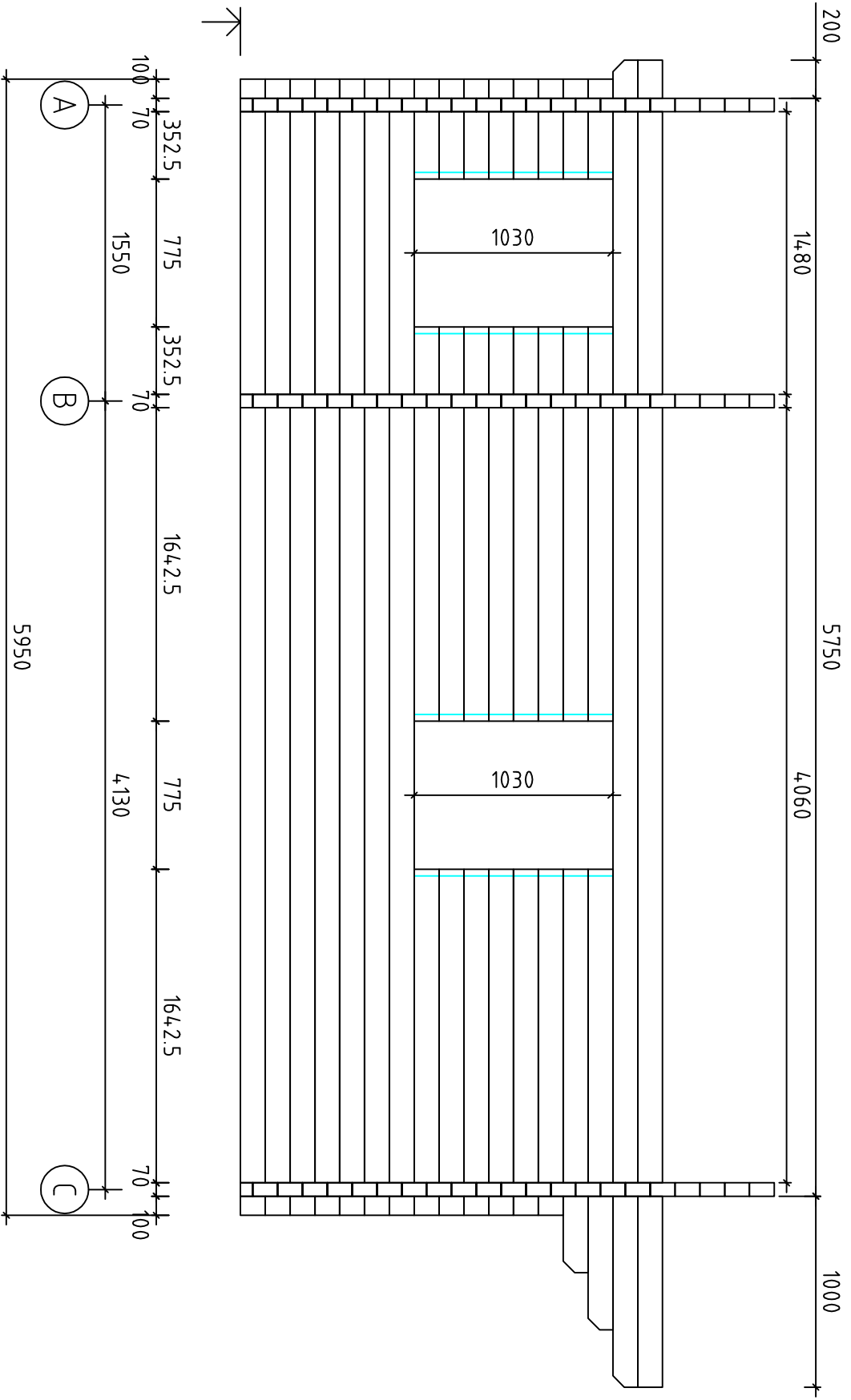


Gotland B//70/19
Grundplan

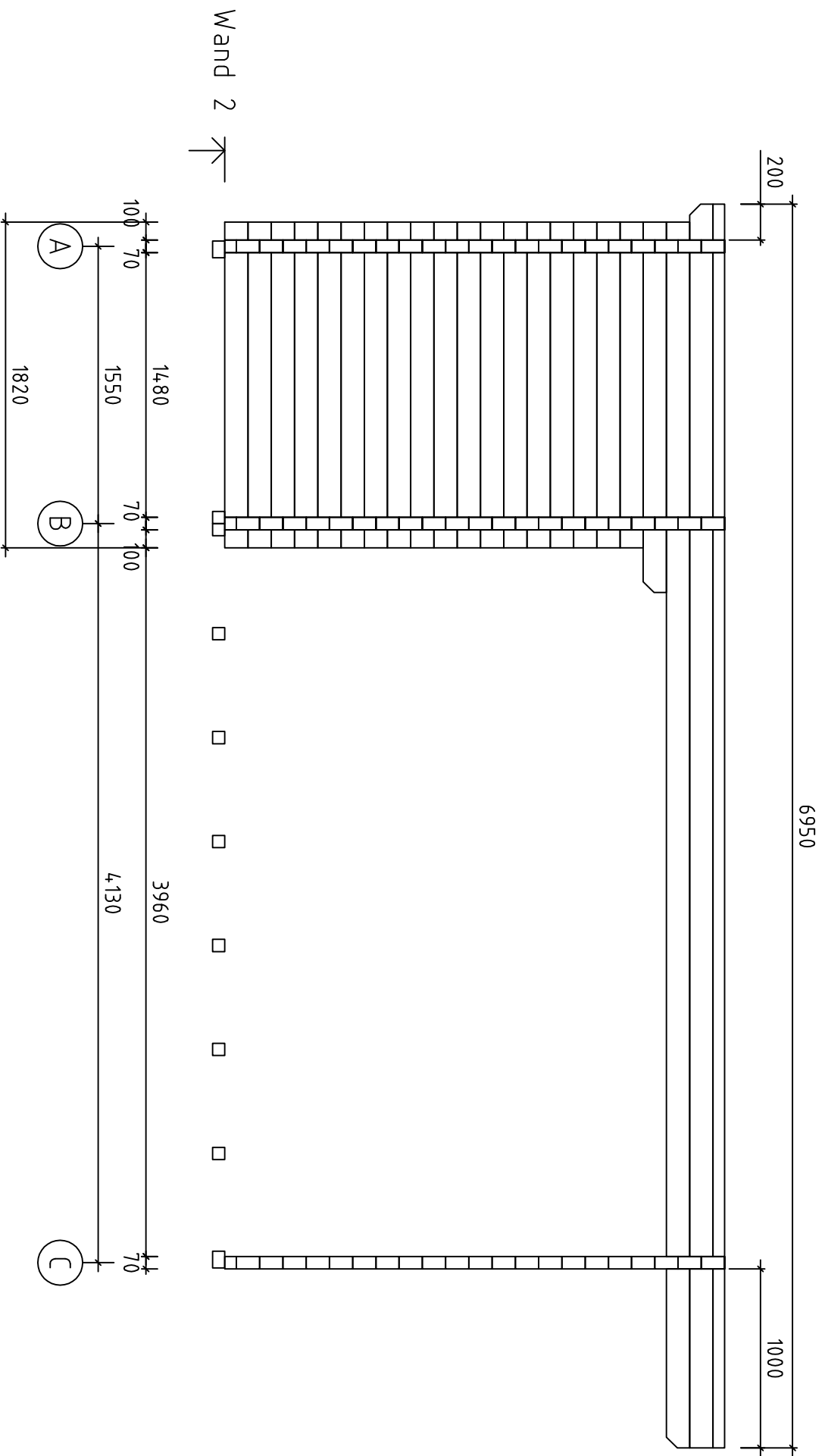


Gotland B///70/19
Fundament



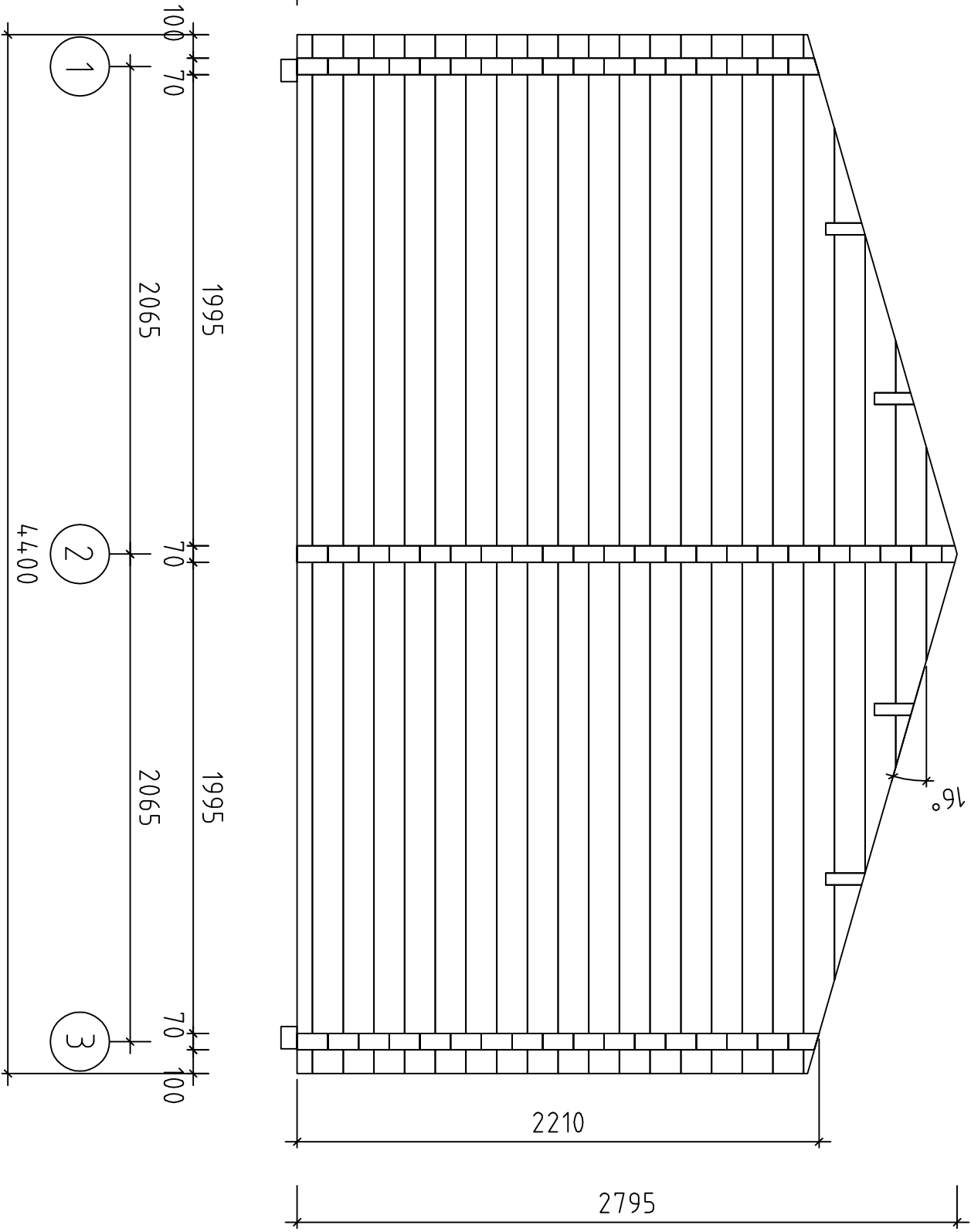


Wand 1 ↗



Wand 2 ↗

Wand A



Wand B ↗

